



Excavator SWE 215F

Operating Weight	21.8t(steel track)
Engine Power	129kW/2200rpm
Engine Brand	CUMMINS
Standard Bucket Capacity	1.0m ³
Max. Digging Depth	6750mm



Excavator SWE215F

Parameter

ENGINE

Brand	CUMMINS
Model	QSB6.7
Type	Direct injection, 4-stroke, water-cooled, turbocharged, intercooled
Displacement	6.7L
Power	129kW/2200rpm

ELECTRIC SYSTEM

Nominal voltage	24V
Batteries	120Ah
Alternator	24V-120A
Starter	24V-7.8kW

DRIVE

Max. Travel Speed (2nd/1st)	5.2/3.3km/h
Gradeability	35°
Max. Traction	193kN

UNDERCARRIAGE

Length to center of rollers	3465mm
Track length	4260mm
Track gauge	2200mm
Undercarriage Width	2800mm
Track shoe width	600mm

DIMENSIONS

Counterweight Clearance	1060mm
Tail Swing Radius	2750mm
Shipping Length	9570mm
Shipping Width	2800mm
Shipping Height	2970mm

WORKING RANGES

Max. Cutting Height	9750mm
Max. Loading Height	6980mm
Max. Digging Depth	6750mm
Max. Vertical Wall Digging Depth	5900mm
Max. Digging Reach	9940mm
Max. Digging Reach (Ground)	9775mm
Bucket Digging Force	155kN
Stick Digging Force	110kN
Ground Pressure	46kPa
Swing Speed	11.8rpm

CAPACITY

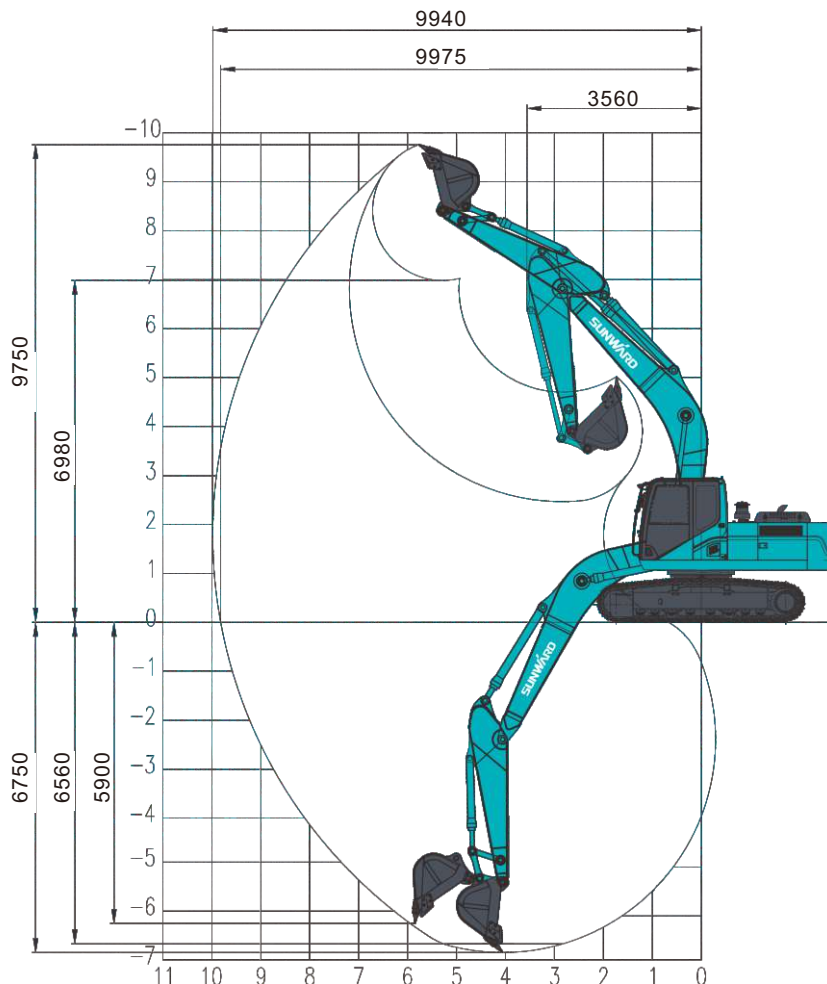
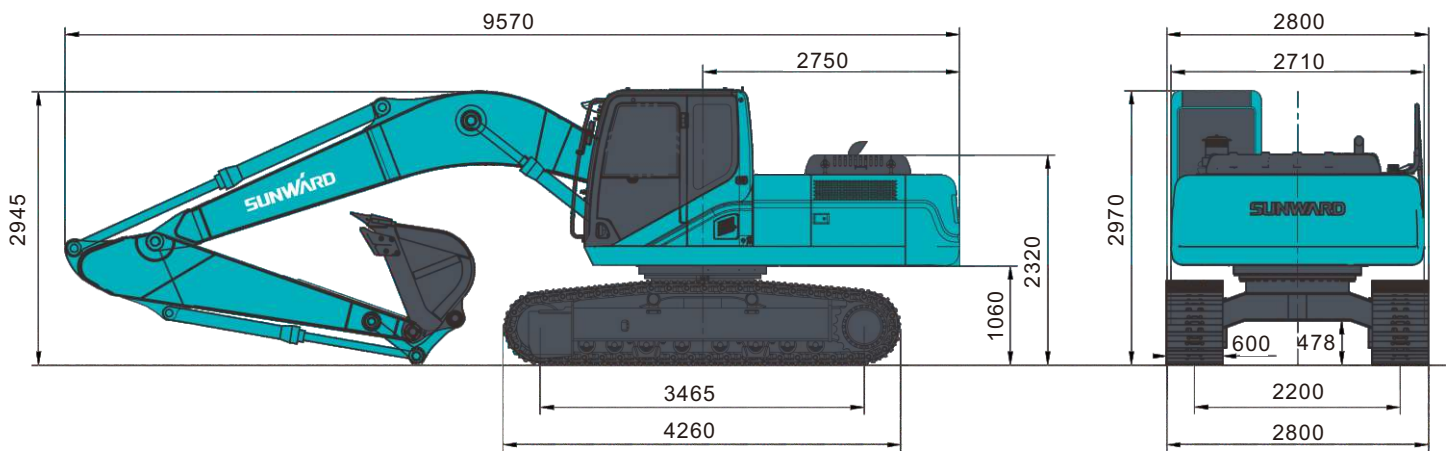
Fuel Tank	385L
Hydraulic Tank	290L

HYDRAULIC SYSTEM

Main Pumps	
Type	2 piston pumps
Displacement	2x240 L/min
Working Pressure	31.4/34.3MPa

Excavator SWE 215F

Working Ranges



■ SUNWARD INTELLIGENT EQUIPMENT CO.,LTD.

Add: Sunward Intelligent Industrial Park, Xingsha, Changsha, 410100, China.

Tel: (0086-731) 83572 828 Fax: (0086-731) 83572 661

E-mail: international@sunward.com.cn

Web: www.sunward.com.cn

■ SUNWARD EUROPE HEAVY INDUSTRY NV

Add: Nijverheidspark 3, 3580 Beringen, Belgium

Tel: (0032-011) 434666

E-mail: eu@sunward.cc